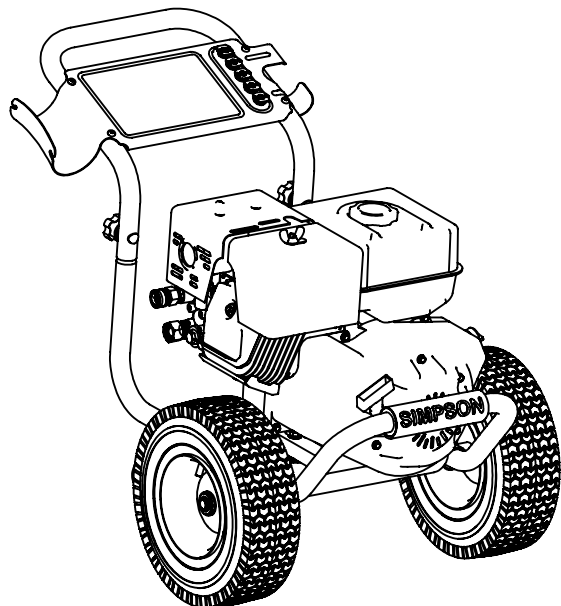
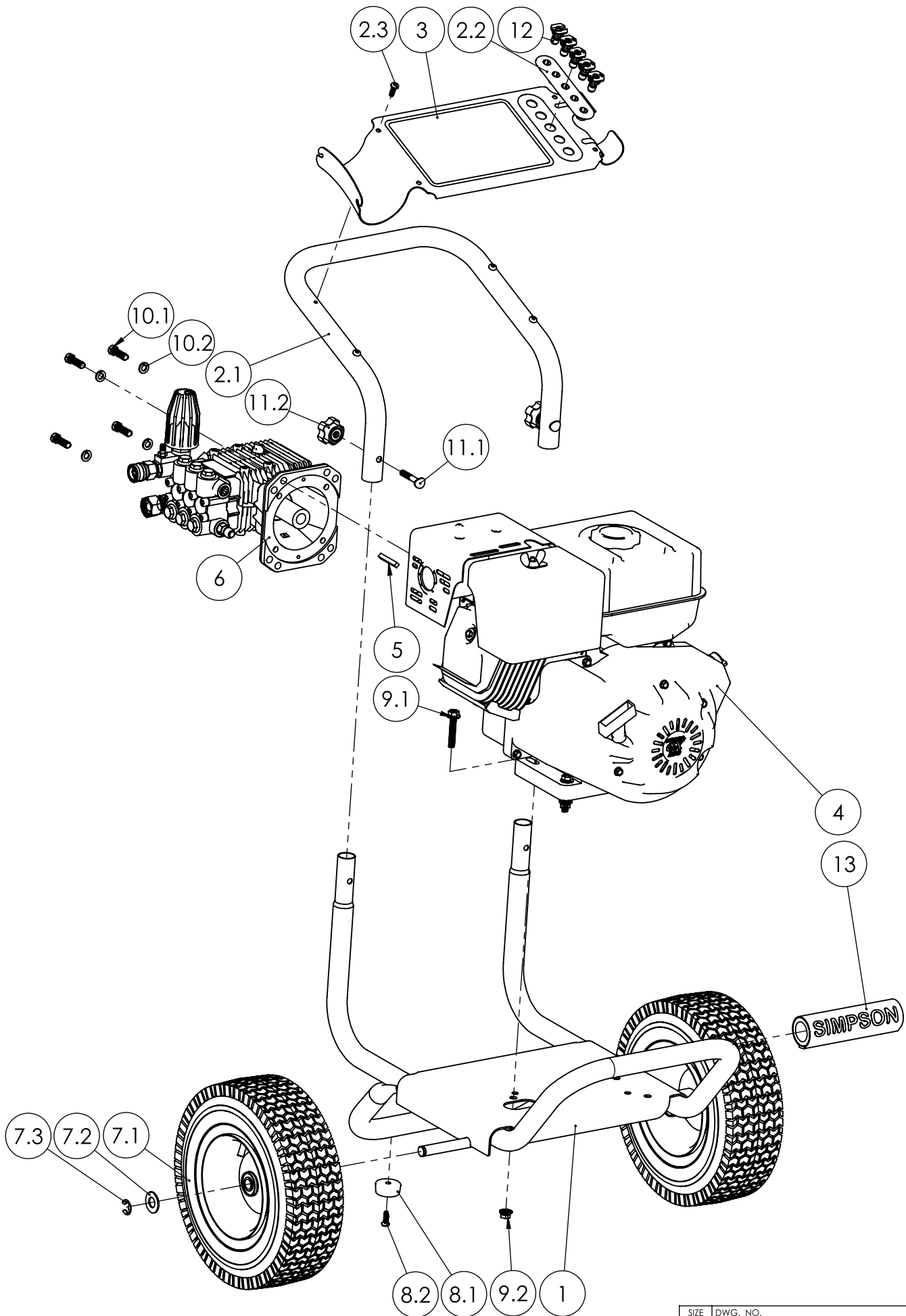


	ITEM	PART NO	DESCRIPTION	QTY.
	1	7104998	FRAME, BASE ASSY FLAT BLACK 13.25" SIMPSON	1
	2	7106229	HANDLE, REAR ASSEMBLY WITH DASHBOARD & LABELS	1
†	2.1		HANDLE, REAR BLACK DXPW 18GA. 13.25"	1
	2.2	7103161	NOZZLE HOLDER, 5PC RUBBER	1
†	2.3		SCREW , TORX PANHEAD TT 1/4"-20 x 3/4"	4
	3	7109403	DASHBOARD SERVICE KIT WITH LABELS PS4240	1
	4	7108447	ENGINE, SVC ASSY GX390 W/ KEY & LABELS	1
	5	7100522	KEY, 5HP ELECTRIC & LG GAS 1/4" x 1 3/4"	1
	6	7108443	PUMP, SVC ASSY PS4240 4200PSI@4.0GPM	1
	7	7105376	KIT, 13" WHEEL SERVICE	2
†	7.1		WHEEL, 13" BLACK	1
†	7.2		WASHER, 5/8" FLAT	1
†	7.3		CLIP, E-TYPE 0.625" x 0.042"	1
	8	7103292	KIT, FOOT SVC ASY .625"	2
†	8.1		FOOT, RUBBER 1.5"ODx.625"-5/16 INSERT	1
†	8.2		SCREW , TORX PANHEAD TT 1/4"-20 x 3/4"	1
	9	7103277	HARDWARE KIT, ENGINE MOUNTING	1
†	9.1		BOLT, 3/8"-16 x 2" SERRATED FLANGE	4
†	9.2		NUT, 3/8"-16 WHIZ	4
	10	7103279	KIT, PUMP MOUNTING HARDWARE	1
†	10.1		BOLT, 3/8"-16 x 1 1/4"	4
†	10.2		WASHER, 3/8" SPLIT-LOCK	4
	11	7107941	KNOB-BOLT ASSEMBLY	2
†	11.1		BOLT, SADDLE 5/16"-18 x 2"	1
†	11.2		KNOB, HANDLE 5/16-18	1
	12	7101683	NOZZLE SET, 4.0 5PC 1/4" QC-M	1
	13	7105186	HANDLE GRIP, SILVER/WHITE SIMPSON	1
	14	7108125	GUN, 4500PSI 3/8QC(M) INLET X M22(F) OEM	1
	15	7103261	LANCE, 31" 1/4"QC-F x M22(M)	1
	16	7103642	HOSE, 3/8" x 50' x 4500PSI WIRE BRAID	1
	17	7102207	KIT, SVC ASSY SOAP HOSE W/PLASTIC FILTER	1
*	18	7102045	TOOL, NOZZLE CLEANING, UNIVERSAL	1
*	19	7108444	MANUAL AND ACCESSORY KIT PS4240	1
*	20	7108445	BOX KIT, PS4240	1

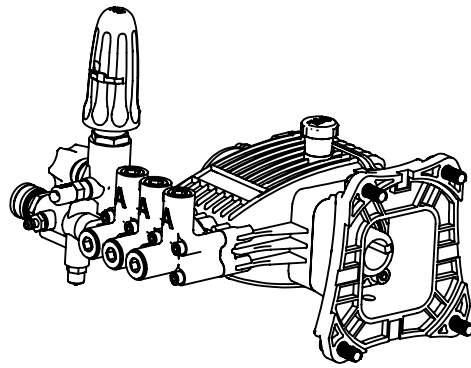


\* NOT SHOWN  
† NOT SOLD SEPERATELY

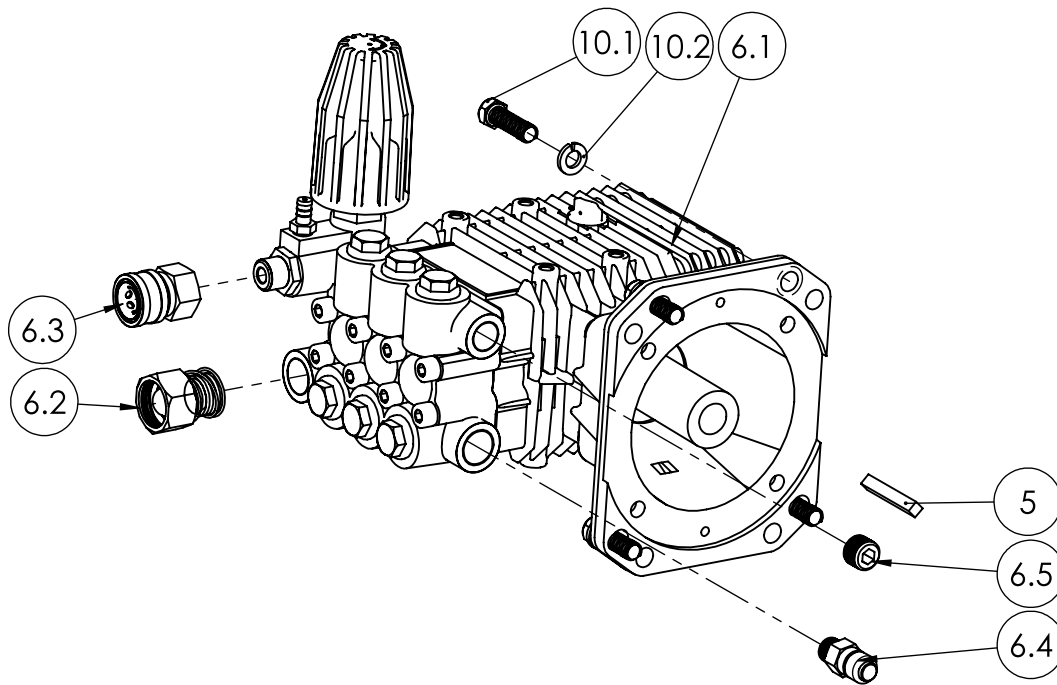
TITLE:		
PS4240H-SP GAS PRESSURE WASHER		
SIZE <b>A</b>	DWG. NO. 60456-S	REV. C
SCALE: N/A	SHEET 1 OF 4	



SIZE	DWG. NO.	REV.
<b>A</b>	60456-S	<b>C</b>
SCALE: N/A	SHEET 2 OF 4	



PUMP, SVC ASSY C45 AAA (530006)  
PART NO. 7109342



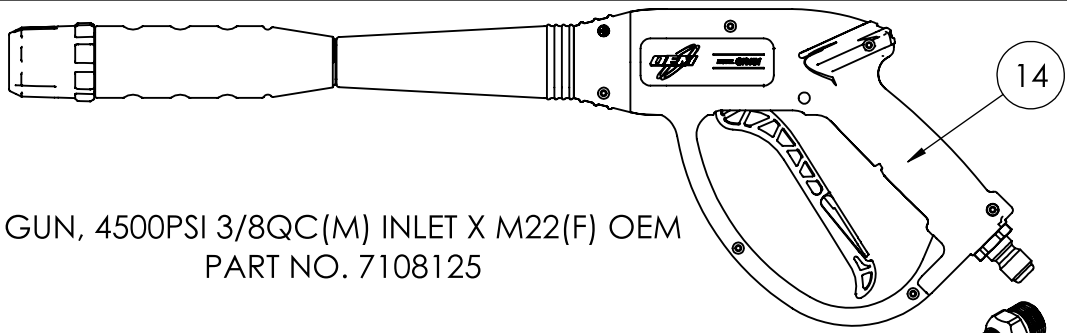
6 PUMP, SVC ASSY PS4240 4200PSI@4.0GPM  
PART NO. 7108443

ITEM	PART NO	DESCRIPTION	QTY.
5	7100522	KEY, 5HP ELECTRIC & LG GAS 1/4" x 1 3/4"	1
6.1	7104820	PUMP, ZWD3538VRFNA	1
† 6.2		INLET FITTING, 1/2" NPTM x 3/4" GHT	1
† 6.3		COUPLER, 3/8" QC-F x 3/8" NPTF	1
† 6.4		VALVE, THERMAL RELIEF 1/4" NPT(M)	1
† 6.5		PLUG, 3/8" NPT, REC. HEX HEAD, BRASS	1
10	7103279	KIT, PUMP MOUNTING HARDWARE	1
† 10.1		BOLT, 3/8"-16 x 1 1/4"	4
† 10.2		WASHER, 3/8" SPLIT-LOCK	4

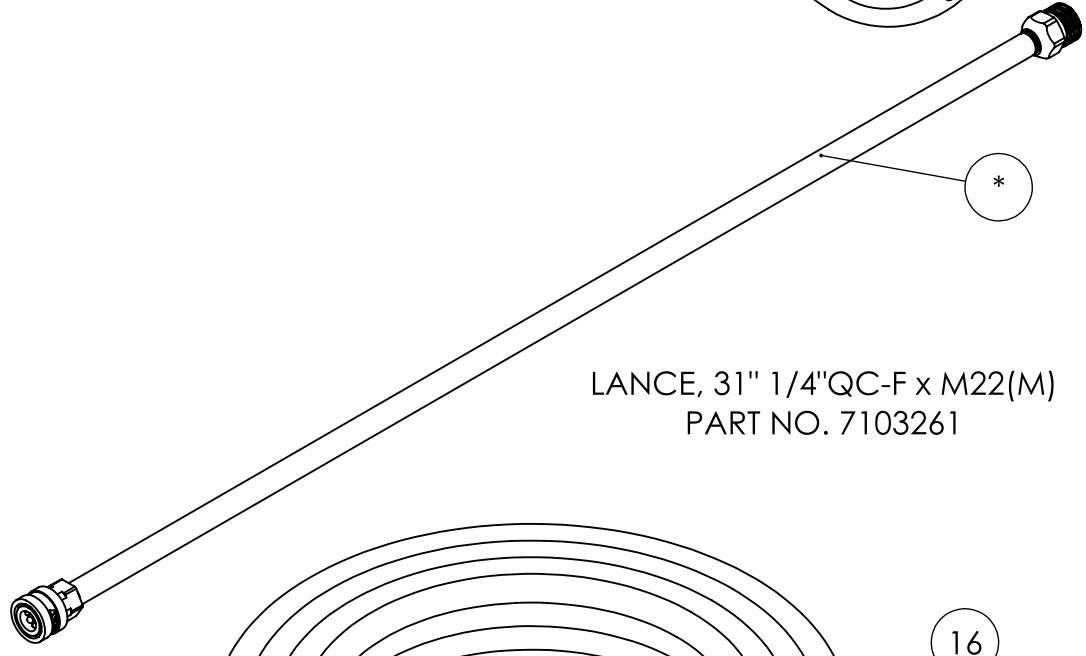
\* NOT SHOWN

† NOT SOLD SEPERATELY

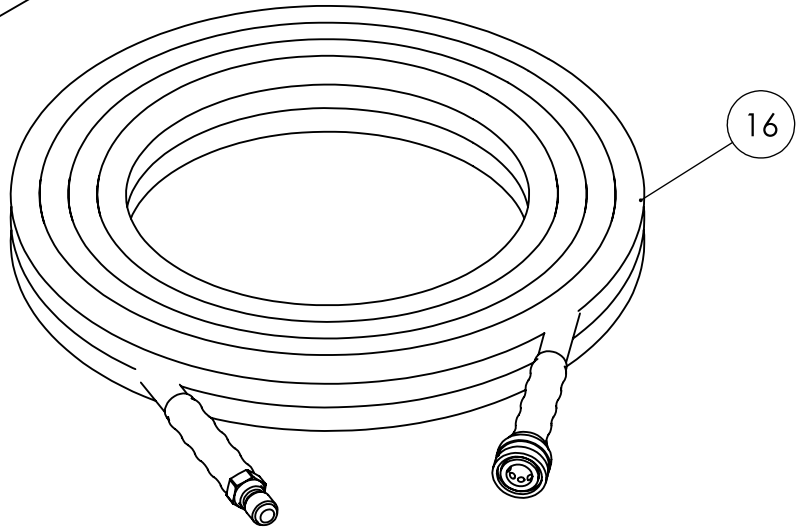
SIZE	DWG. NO.	REV.
A	60456-S	C
SCALE: N/A	SHEET 3 OF 4	



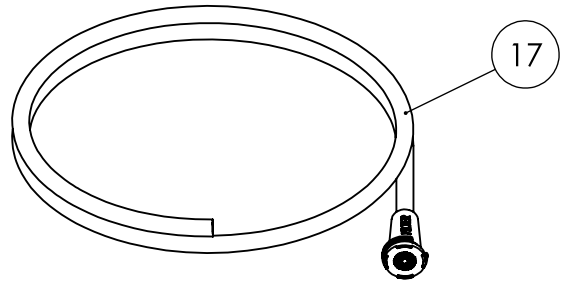
GUN, 4500PSI 3/8QC(M) INLET X M22(F) OEM  
PART NO. 7108125



LANCE, 31" 1/4"QC-F x M22(M)  
PART NO. 7103261



HOSE, 3/8" x 50' x 4500PSI WIRE BRAID  
PART NO. 7103642



KIT, SVC ASSY SOAP HOSE W/PLASTIC FILTER  
PART NO. 7102207